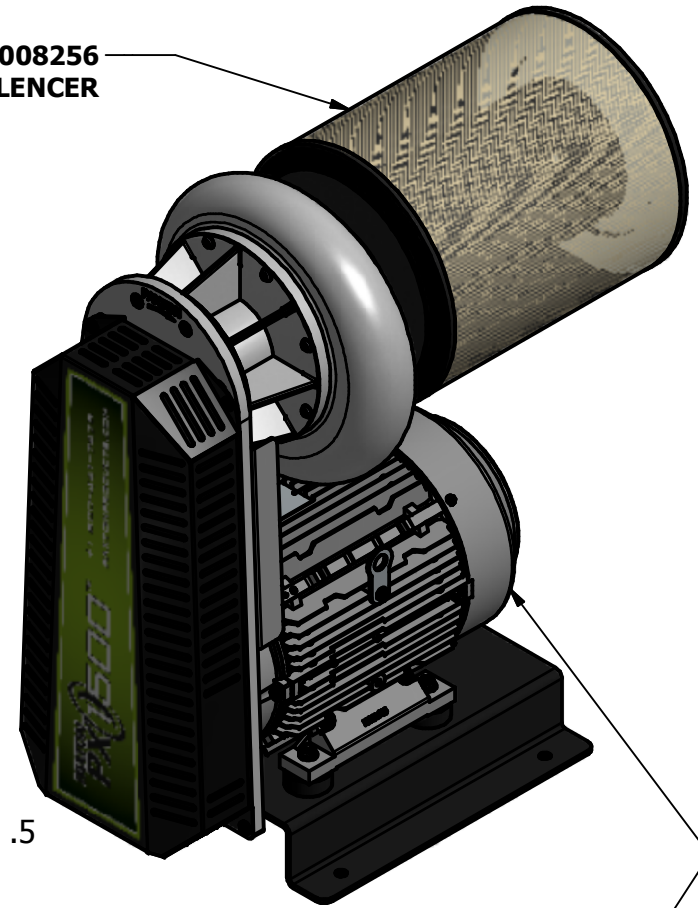


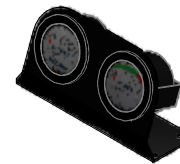
Ø.50 (4 PLACES)



8008256
FILTER / SILENCER



Motor:
GR3-AL-TF-215TC-2-B-D-15



8008468, Gauge Kit
Blower Output Pressure (0-100" W/C)
Filter Pressure Drop (0-10" W/C)
With tubing and fittings

8005330-PX15,
MOUNTING BASE

1" NPT
ELECTRICAL
CONNECTION

TYPICAL WT = 235 lbs

THIS DOCUMENT IS THE PROPERTY OF PAXTON PRODUCTS AND IS FURNISHED ON THE CONDITION THAT IT IS TO BE USED ONLY BY PAXTON CUSTOMERS FOR INTEGRATING PAXTON EQUIPMENT. THIS DOCUMENT MAY BE USED BY CUSTOMERS TO CREATE THEIR OWN EQUIPMENT DOCUMENTATION. OTHERWISE THIS DOCUMENT IS NOT TO BE USED IN ANY SHAPE OR FORM TO CREATE DOCUMENTS, PARTS, OR EQUIPMENT.



10125 Carver Road Phone: (800) 441-7475
Cincinnati, OH 45242 (513) 891-7474

www.paxtonproducts.com

PX-1500 Blower Drawing
15Hp, 215TC, View B-G

DATE
2/29/2016

INVENTOR DWG No.
OA-PX1500-VIEW B-G

FOR REPLACEMENT PARTS INFORMATION OR EXACT C-C DIMENSION, PLEASE SEE THE SPECIFIC "PARTS DIAGRAM" FOR YOUR BLOWER.