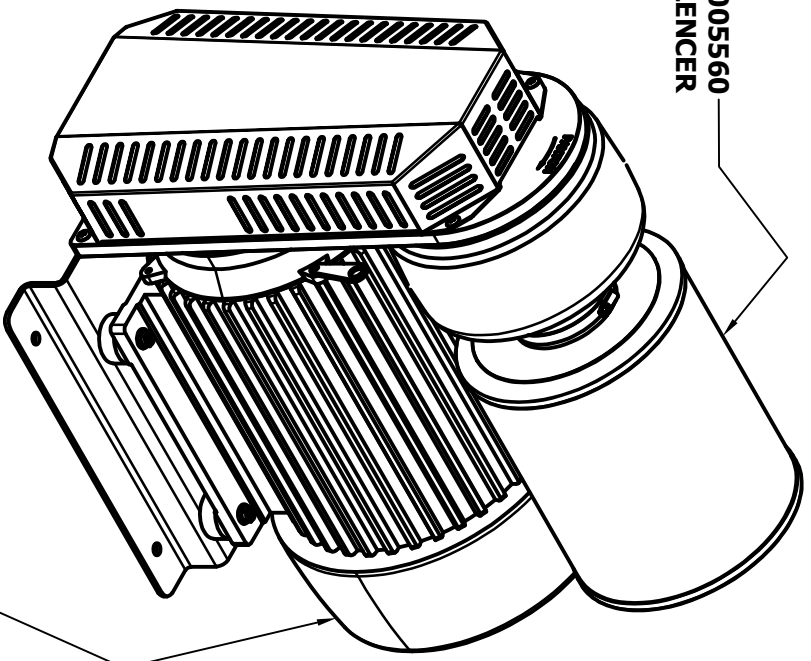


8005556 or 8005560
FILTER / SILENCER



TYPICAL MOTOR:
PAXTON 2651201

TYPICAL WT = 274 lbs

1-1/4" NPT
KNOCKOUT

FOR REPLACEMENT PARTS INFORMATION OR EXACT C-C DIMENSION,
PLEASE SEE THE SPECIFIC "PARTS DIAGRAM" FOR YOUR BLOWER.



10125 Carver Road Phone: (800) 441-7475
Cincinnati, OH 45242 (513) 891-7474
www.paxtonproducts.com

OVERALL DWG, BLWR, AT1200 20HP 256TC
AT1200-20-256TC-9.525-430, VIEW B-G

DATE

7/15/2013

INVENTOR DWG No.

OA-B6220-VIEW-B-G

THIS DOCUMENT IS THE PROPERTY
OF PAXTON PRODUCTS AND IS
FURNISHED ON THE CONDITION
THAT IT IS TO BE USED ONLY BY
PAXTON CUSTOMERS FOR
INTEGRATING PAXTON
EQUIPMENT. THIS DOCUMENT
MAY BE USED BY CUSTOMERS TO
CREATE THEIR OWN EQUIPMENT
DOCUMENTATION. OTHERWISE
THIS DOCUMENT IS NOT TO BE
USED IN ANY SHAPE OR FORM TO
CREATE DOCUMENTS, PARTS, OR
EQUIPMENT.