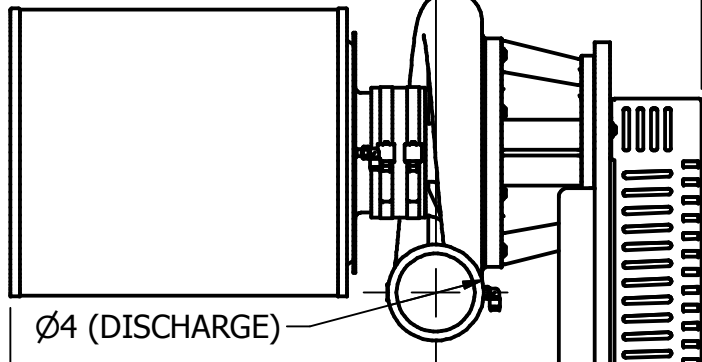


Ø.50 (4 PLACES)

16

16

11.1



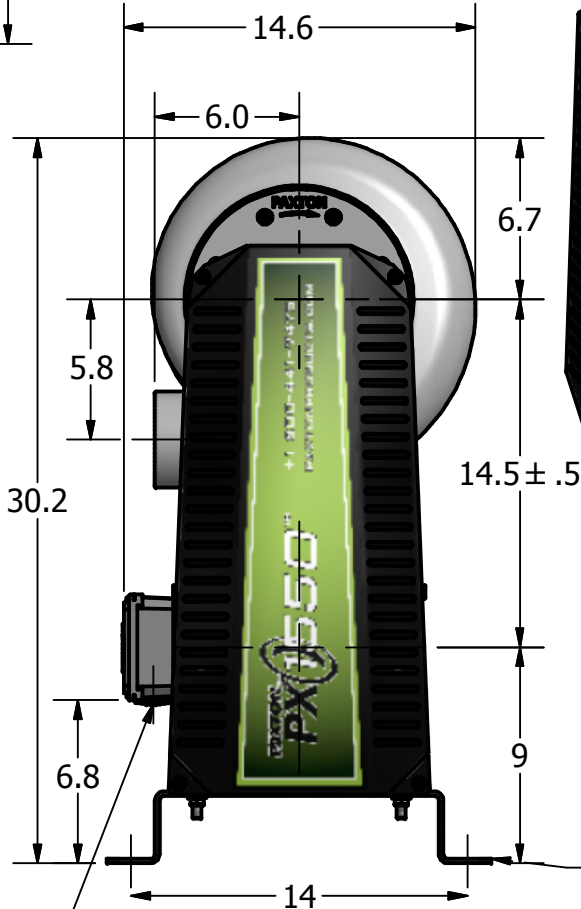
Ø4 (DISCHARGE)

3

12

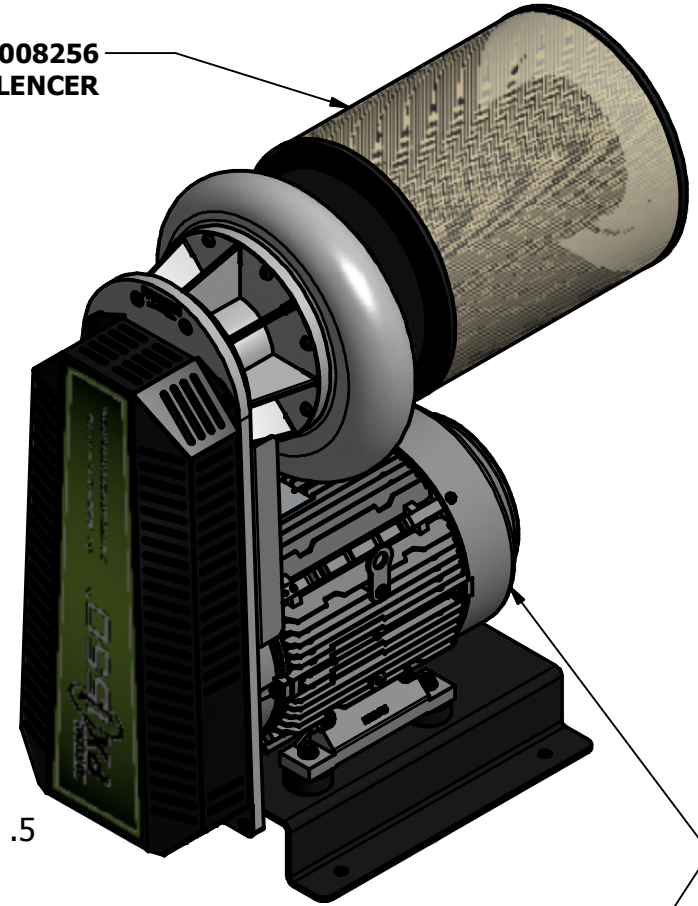
7 3/8

28.7

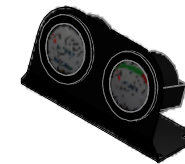


1" NPT
ELECTRICAL
CONNECTION

8008256
FILTER / SILENCER



Motor:
GR3-AL-TF-215TC-2-B-D-15



8008468, Gauge Kit
Blower Output Pressure (0-100" W/C)
Filter Pressure Drop (0-10" W/C)
With tubing and fittings

8005330-PX15,
MOUNTING BASE

FOR REPLACEMENT PARTS INFORMATION OR EXACT C-C DIMENSION,
PLEASE SEE THE SPECIFIC "PARTS DIAGRAM" FOR YOUR BLOWER.

TYPICAL WT = 245 lbs

THIS DOCUMENT IS THE PROPERTY
OF PAXTON PRODUCTS AND IS
FURNISHED ON THE CONDITION
THAT IT IS TO BE USED ONLY BY
PAXTON CUSTOMERS FOR
INTEGRATING PAXTON
EQUIPMENT. THIS DOCUMENT
MAY BE USED BY CUSTOMERS TO
CREATE THEIR OWN EQUIPMENT
DOCUMENTATION. OTHERWISE
THIS DOCUMENT IS NOT TO BE
USED IN ANY SHAPE OR FORM TO
CREATE DOCUMENTS, PARTS, OR
EQUIPMENT.



10125 Carver Road Phone: (800) 441-7475
Cincinnati, OH 45242 (513) 891-7474
www.paxtonproducts.com

PX-1550 Blower Drawing
15Hp, 215TC, View B-G

DATE
2/29/2016

INVENTOR DWG No.
OA-PX1550-VIEW B-G