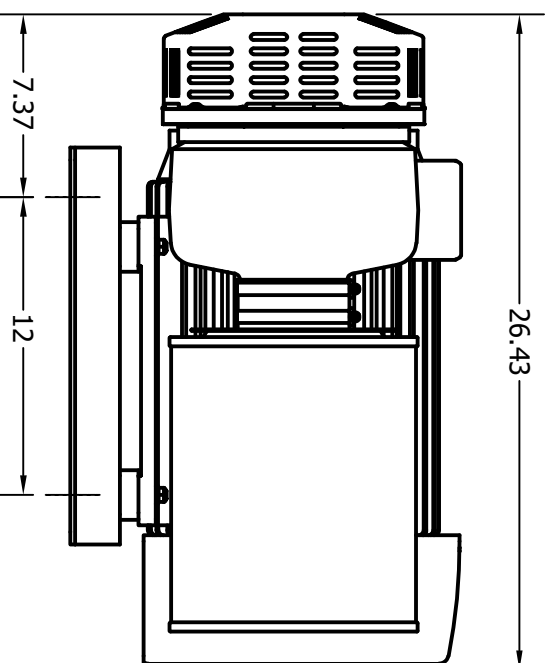
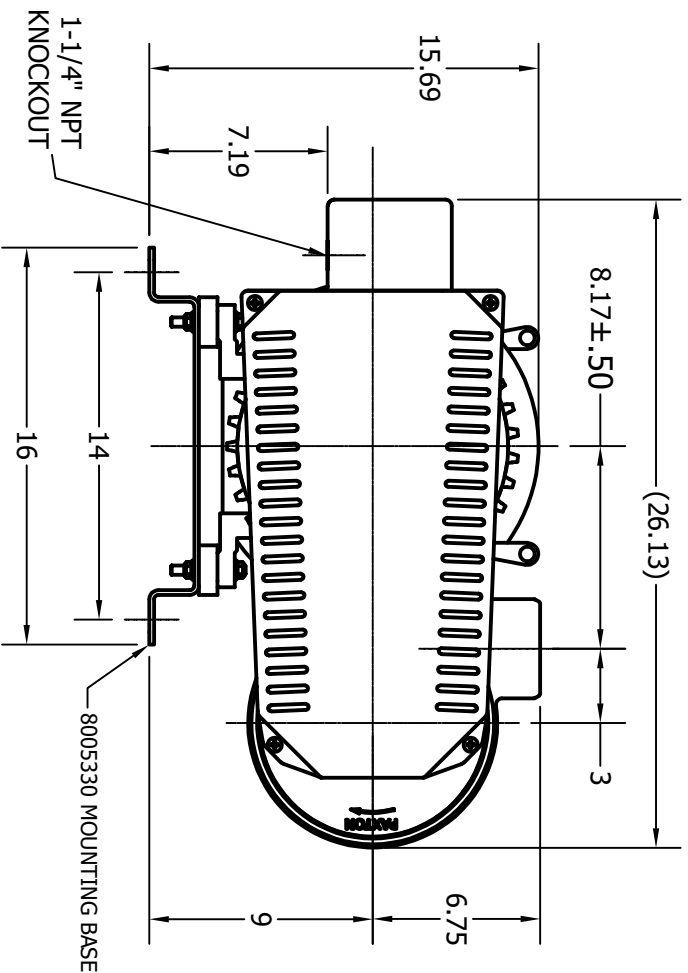
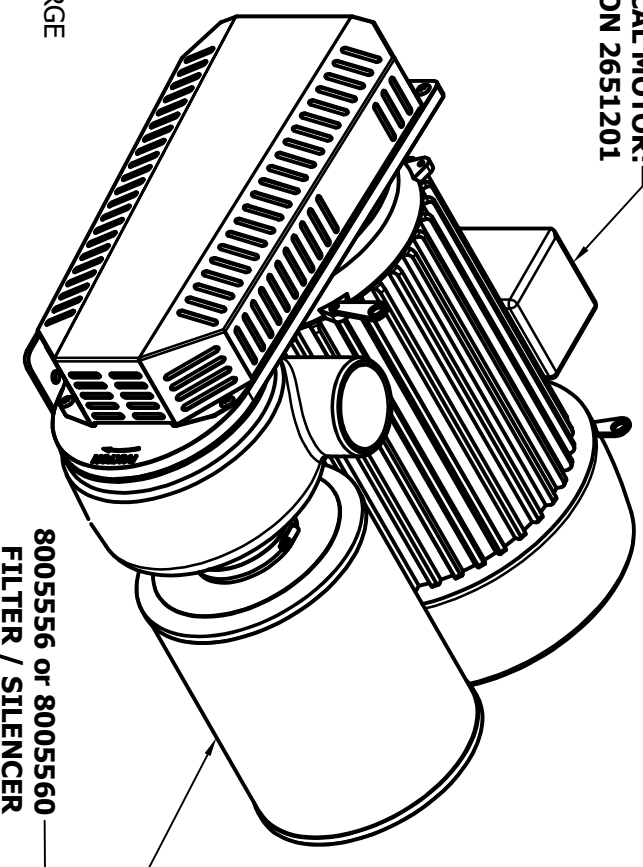


TYPICAL MOTOR:  
PAXTON 2651201



TYPICAL WT = 274 lbs



10125 Carver Road Phone: (800) 441-7475  
Cincinnati, OH 45242 (513) 891-7474  
www.paxtonproducts.com

OVERALL DWG, BLWR, AT1200 20HP 256TC  
AT1200-20-256TC-9.525-430, VIEW A-A

DATE

7/15/2013

INVENTOR DWG No.

OA-B6220-VIEW-A-A

FOR REPLACEMENT PARTS INFORMATION OR EXACT C-C DIMENSION,  
PLEASE SEE THE SPECIFIC "PARTS DIAGRAM" FOR YOUR BLOWER.

THIS DOCUMENT IS THE PROPERTY  
OF PAXTON PRODUCTS AND IS  
FURNISHED ON THE CONDITION  
THAT IT IS TO BE USED ONLY BY  
PAXTON CUSTOMERS FOR  
INTEGRATING PAXTON  
EQUIPMENT. THIS DOCUMENT  
MAY BE USED BY CUSTOMERS TO  
CREATE THEIR OWN EQUIPMENT  
DOCUMENTATION. OTHERWISE  
THIS DOCUMENT IS NOT TO BE  
USED IN ANY SHAPE OR FORM TO  
CREATE DOCUMENTS, PARTS, OR  
EQUIPMENT.