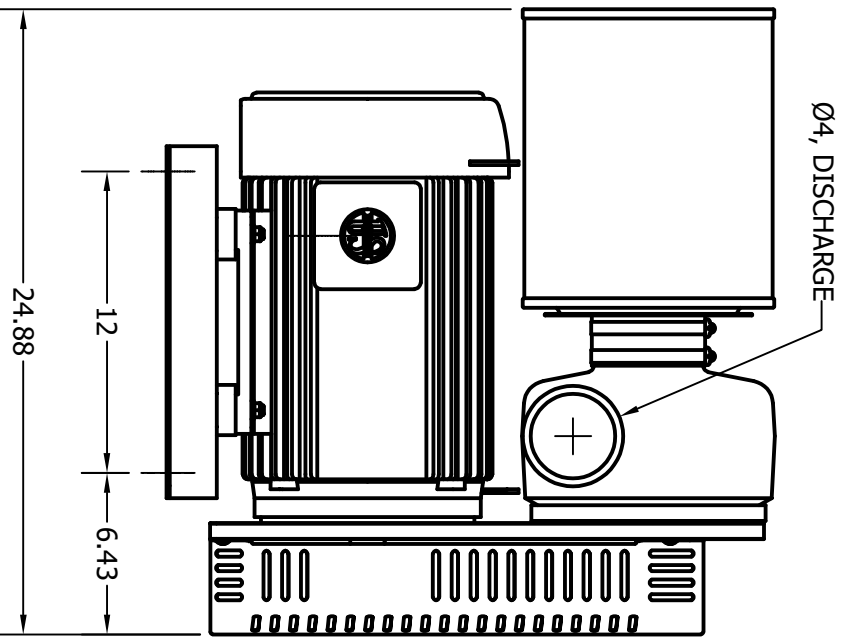


14
Ø13/32 (4 PLACES)

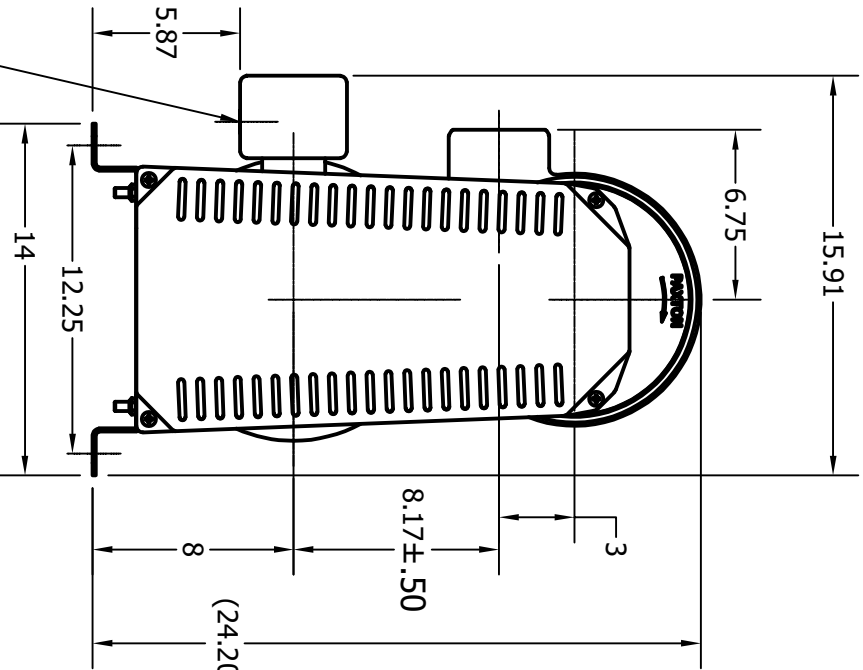


Ø4, DISCHARGE

12
6.43

24.88

1" NPT
KNOCKOUT



15.91

6.75

5.87

12.25

14

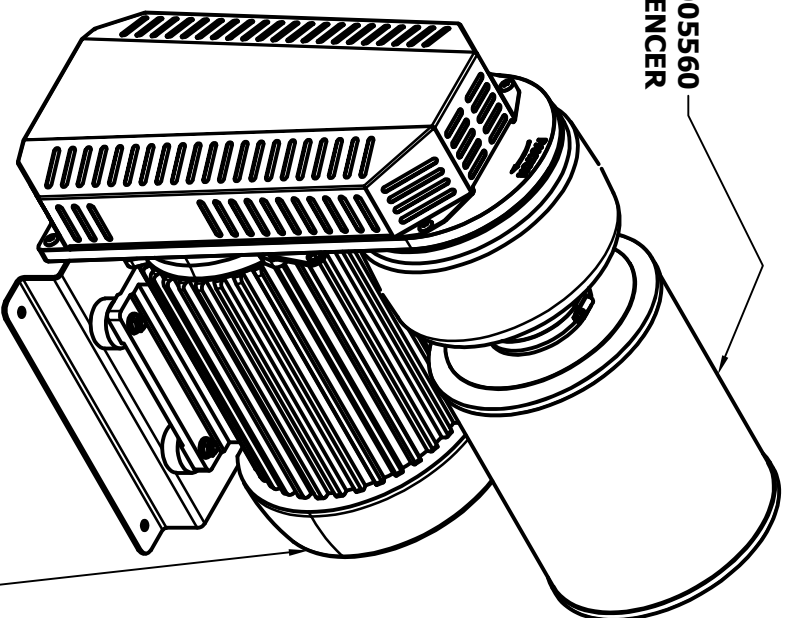
8.17±.50

3

8

(24.20)

800556 or 8005560
FILTER / SILENCER



TYPICAL MOTOR:
PAXTON 2651106

TYPICAL WT = 214 lbs



10125 Carver Road Phone: (800) 441-7475
Cincinnati, OH 45242 (513) 891-7474
www.paxtonproducts.com

OVERALL DWG, BLWR, AT1200 15Hp 215TC
AT1200-15-215TC-9.525-430, VIEW B-G

DATE

7/15/2013

INVENTOR DWG No.

OA-B6215-9.525-VIEW-B-G

FOR REPLACEMENT PARTS INFORMATION OR EXACT C-C DIMENSION,
PLEASE SEE THE SPECIFIC "PARTS DIAGRAM" FOR YOUR BLOWER.

THIS DOCUMENT IS THE PROPERTY
OF PAXTON PRODUCTS AND IS
FURNISHED ON THE CONDITION
THAT IT IS TO BE USED ONLY BY
PAXTON CUSTOMERS FOR
INTEGRATING PAXTON
EQUIPMENT. THIS DOCUMENT
MAY BE USED BY CUSTOMERS TO
CREATE THEIR OWN EQUIPMENT
DOCUMENTATION. OTHERWISE
THIS DOCUMENT IS NOT TO BE
USED IN ANY SHAPE OR FORM TO
CREATE DOCUMENTS, PARTS, OR
EQUIPMENT.